



Submittal Data

A-VFH30QB-1

Project Name:	
Location:	
Engineer:	
Submitted to:	
Submitted by:	
Reference:	

Approval:	
Date:	
Construction:	
Unit #:	
Drawing #:	

Power supply 208-230V~60Hz , 1Ph

Cooling

Capacity Btu/h 28500
 Capacity kW 8.35
 Rated current A 16.859
 EER Btu/w 12.50
 SEER Btu/w 21.00

Heating

Capacity Btu/h 30000
 Input kW 2.35
 Rated current A 16.859
 COP W/W 3.721
 HSPF4 10.50
 heating at 47°F Btu/h 32000
 heating at 17°F Btu/h 22500

Outdoor fan motor

Model LW92K-ZL
 Output W 90
 Speed RPM 800

Air flow & Noise level

Outdoor air flow CFM 2354
 Outdoor noise level dB(A) 59

Physical Data

Dimensions (W*D*H) inch 38.58x16.81x31.1
 Packing (W*D*H) inch 42.6 X 19.2 X 33.7
 Net/Gross weight lbs. 145.5/154.3

Ambient temperature

Outdoor(cooling/heating) Deg. F 0°-75°/-4°-75°F

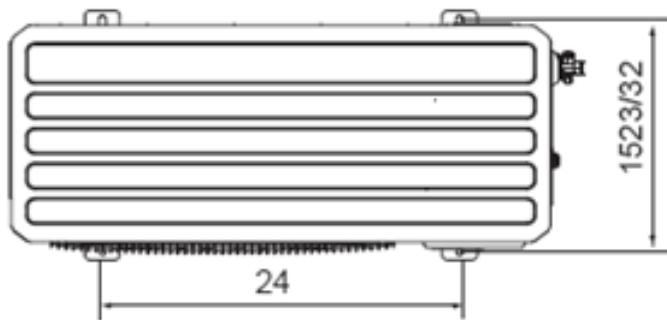
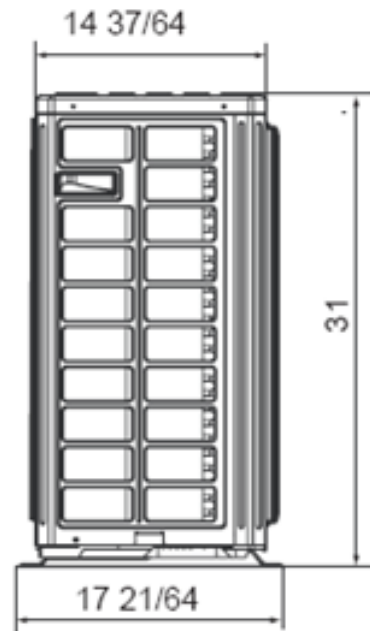
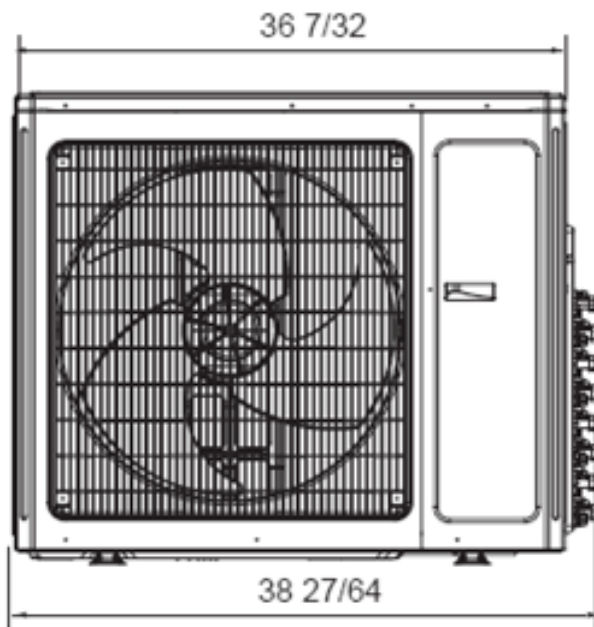
SYSTEM DATA

MAX.FUSE A 30
Compressor Electrical
 Model QXAS-D32zX090A
 Type Inverter Rotary
 Brand ///
 Capacity W 12300
 Input W 4150
 Rated current(RLA) A 13.9
 Thermal protector 1NT11L-6233
 Connection wiring 14/4 STRANDED
Thermostat type Remote control

of Zones 4
 Design pressure psi 620
 Refrigerant type R-410
 Refrigerant precharge oz 98.77
 Additional charge per ft. oz Subject to indoor line size
 Liquid side Multiple: Adapters provided. See IOM
 Gas side
 Max. length for all rooms ft 229
 Max. height difference between indoor and outdoor ft. 49
 Max. height difference between indoor units ft. 49

Submittal Data

A-VFH30QB-1



Unit:inch

Accessories

- 93640 Mini-Split Bracket 260lb. Limit
- 93641 Mini-Split Bracket 330lb. Limit
- 93642 Mini-Split Bracket 400lb. Limit
- 93540 Mini-Split Pad 18" x 38" x 3"